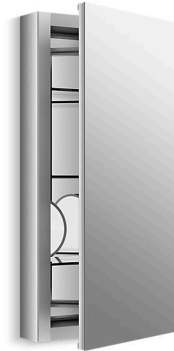


Features

- Vertically adjustable 3x magnifying mirror on inside of door.
- Three adjustable tempered-glass shelves.
- Full-overlay mirrored door.
- Mirrored interior.
- Slow-close door prevents slamming.
- Two-way adjustable hinges with 108° opening capability for easy cabinet access.
- Can be installed with left- or right-hand swing.
- Includes mounting hardware for surface or recessed installation.



Material

- Anodized aluminum construction with a durable rust-proof and chip-resistant finish.
- Anodized aluminum construction with a durable rust-proof and chip-resistant finish.

Installation

- Requires K-99012 or K-99675 side mirror kit (sold separately) for surface-mount installation.

Required Products/Accessories

K-99675 Medicine Cabinet Wood Side Kit

or

K-99012 mirrored side kit for medicine cabinet

Recommended Products/Accessories

K-23723 Faucet cleaner

Optional Products/Accessories

K-99662-24 Medicine Cabinet Surround

K-99662-40 Medicine Cabinet Surround

K-99661-15 Medicine Cabinet Surround

K-99662-15 Medicine Cabinet Surround

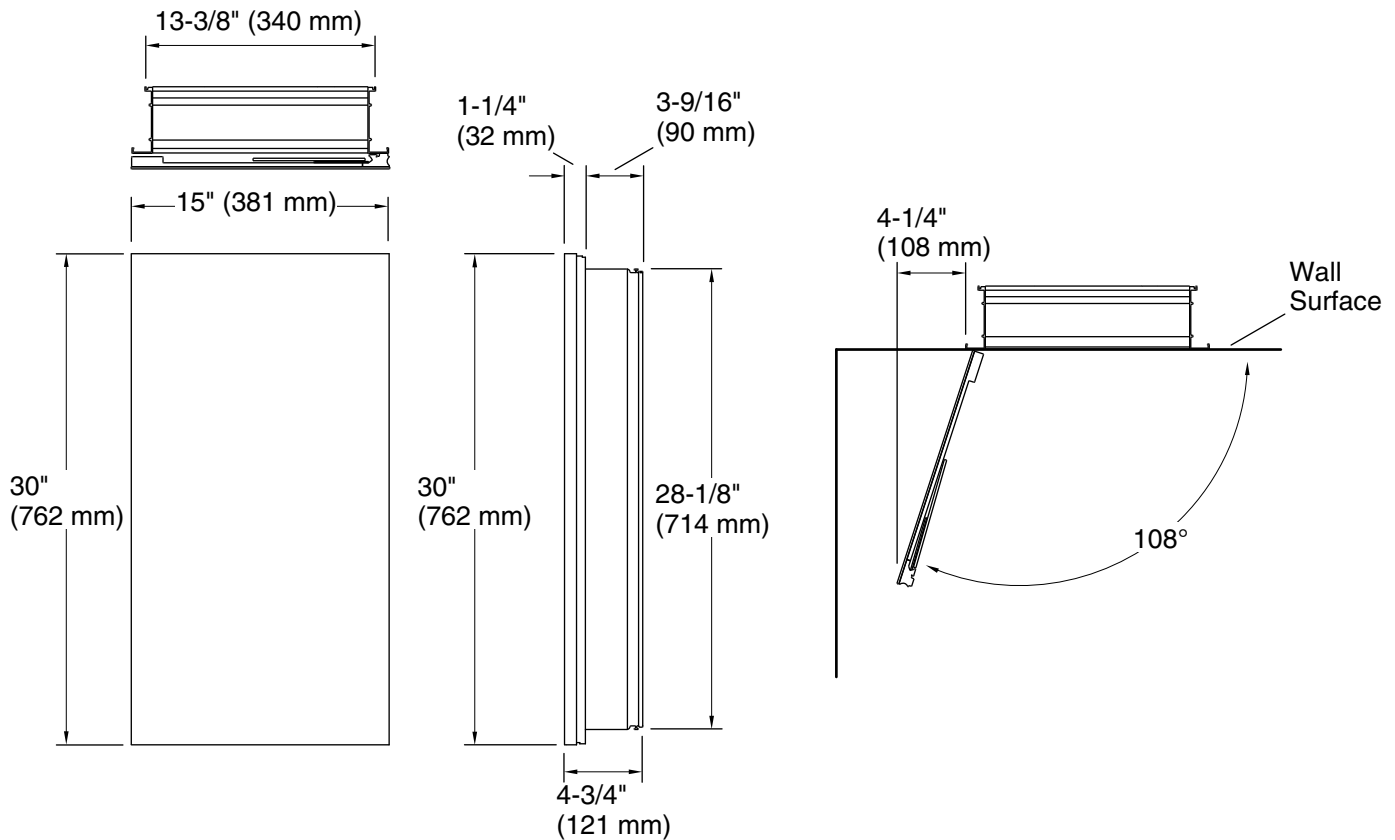
K-99663-15 Medicine Cabinet Surround

Codes/Standards

None Applicable

KOHLER® One-Year Limited Warranty

See website for detailed warranty information.



Technical Information

All product dimensions are nominal.

Notes

Install this product according to the installation guide.

IMPORTANT! For recess mounting, the wall cavity must be framed and cabinet secured to framing studs. Reroute any electrical wires or water supply piping from the wall cavity. If you encounter drain or vent piping, or if your wall is load-bearing, consult a professional before proceeding.

For surface mounting, use anchors (not provided) rated for the loaded weight of this product. Refer to the anchor manufacturer's instructions.

When determining the height of the cabinet, ensure the mirrored door will clear all obstacles (such as a faucet). A minimum distance of 3" (76 mm) is required.

This cabinet is designed for either right or left door swing. Check for obstructions.

Cutout for recess-mount installations:
 13-1/2" (343 mm) width x 28-1/4" (718 mm) height x 3-11/16" (94 mm) depth.